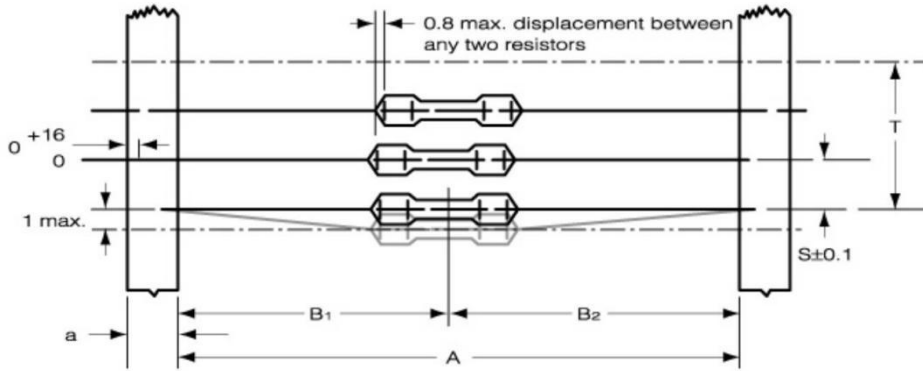


DRAWING (mm)

Packing Methods: Axial Leads. The resistors are supplied on Bandolier, either 1000pcs resistors in ammo pack or 1000/5000pcs resistors on reel.



DIMENSIONS (mm)

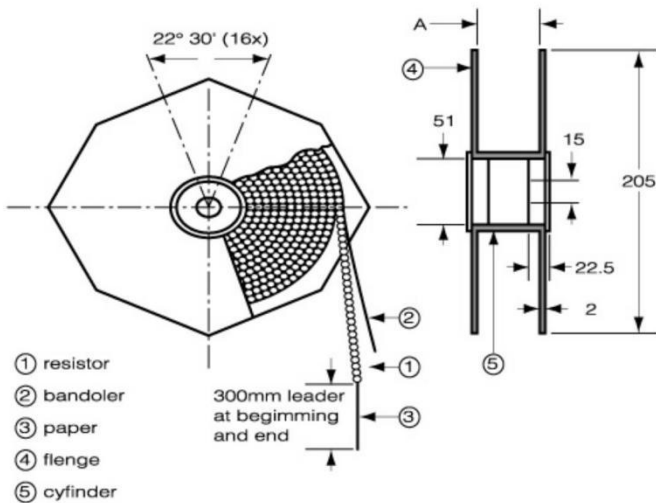
Style		DIMENSIONS(mm)				
Normal	Miniature	a	A	B1 -B2	S (Spacing)	T(Max. Deviation of Spacing)
1/8W	1/4WS	6.0±0.5	52.5±1.5	1.2	5.0	1mm per 10 Spacing 0.5mm per 5 Spacing
			26±1.5	1.2		
1/4W	1/2WS	6.0±0.5	52.5±1.5	1.2	5.0	
			26±1.5	1.0		
1/2W	1W	6.0±0.5	52.5±1.5	1.2	5.0	
1W	2WS	6.0±0.5	73.0±1.5	1.5	5.0	
			52.5±1.5	1.5		
2W	3WS	6.0±0.5	73.0±1.5	1.5	10.0	
			52.5±1.5	1.5		
3W	5WS	6.0±0.5	73.0±1.5	1.5	10.0	
5W	7WS	6.0±0.5	88.0±1.5	1.5	10.0	

Style		Tape and Reel		Tape in Box			
Normal	Miniature	Across Flange(A)	QTY PER REEL PCS	W(A)	H(B)	L(C)	QTY PER BOX PCS
1/8W	1/4WS	72.0	5000	78.0	20.0	264.0	5000
1/4W	1/2WS	48.0 / 72.0	5000	78.0	20.0	264.0	5000
1/2W	1W	72.0	2500	78.0	46.0	264.0	2000
1W	2WS	95.0	2000	103.0	70.0	265.0	1000
2W	3WS	95.0	1000	103.0	85.0	265.0	1000
3W	5WS	95.0	1000	103.0	76.0	265.0	500
5W	7WS	107.0	1000	119.0	74.0	265.0	250



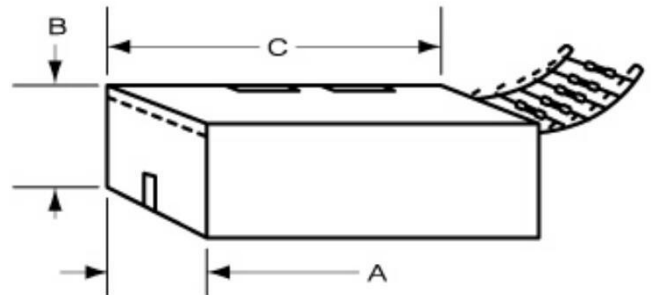
TAPE ON REEL PACKING

Bandoliers can be reeled, dimension A differ with type



TAPE ON BOX PACKING

Bandoliers may also be supplied in a cardboard box (Ammopack)



"Ammopack" is an abbreviation of "Ammunition packing"
The dimensions of A-B-C vary with type and quantity.

PN Structure

SQP	5W	100R	J	T	R	CA
Series	Rated Power(W) 1.	Resistance Value (Ω) 2.	Resistance Tolerance 3.	Packing 4.	Pb 5.	Temp. Coefficient 6.

1, Rated Power (W)

Code	1/4W	2W	3W	5W	10W	15W	20W	25W	50W
Power (W)	1/4	2W	3W	5W	10W	15W	20W	25W	50W

2, Resistance Value (Ω)

Code	0R1	100R	1K	100K
Resistance(Ω)	0.1 Ω	100 Ω	1K Ω	100K Ω

3, Resistance Tolerance

Code	L	W	B	C	D	F	G	J
Tolerance	$\pm 0.01\%$	$\pm 0.05\%$	$\pm 0.1\%$	$\pm 0.25\%$	$\pm 0.5\%$	$\pm 1\%$	$\pm 2\%$	$\pm 5\%$

4, Packing

Code	A	T	B
Packing	Ammo Reel	Tape Box	Bulk

5,Pb

Code	R
Pb	RoHS

6,Temp. Coefficient PPM/ $^{\circ}$ C

Code	C7	C6	C5	C3	C2	C1	CA	CB
T.C.R/ppm/ $^{\circ}$ C	± 5	± 10	± 15	± 25	± 50	± 100	± 300	± 350

