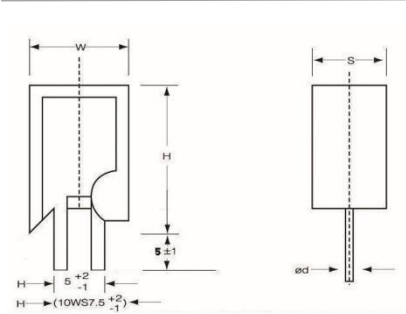


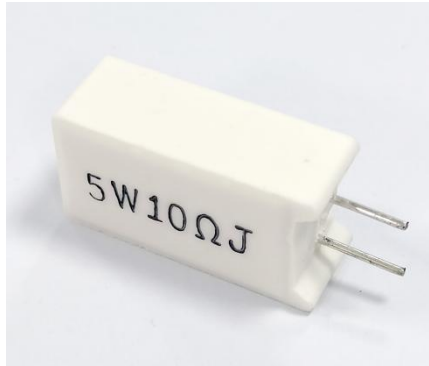
FEATURES

- Cement resistors are manufactured by winding the ceramic rods with metal alloy resistance wire and put it in a fireproof ceramic box then concrete with non-flammable and heat-resistant cement.
- Excellent heat resistance, low temperature coefficient of resistance and linear change.

DRAWING (mm)



PICTURE (mm)



DIMENSIONS (mm)

| Series | Power Rating (Watt) | Dimension(mm) | | | | | | Ød |
|--------|------------------------|---------------|----------|----------|----------|----------|----------|-----------|
| | | L | | W | | S | | |
| | | Normal | Mini. | Normal | Mini. | Normal | Mini. | |
| SQM | 2W | 20.0±1.0 | - | 11.0±1.0 | - | 7.0±1.0 | - | 0.7±0.05 |
| SQM | 3W | 25.0±1.5 | 20.0±1.5 | 12.0±1.0 | 11.0±1.0 | 8.0±1.0 | 7.0±1.0 | 0.78±0.05 |
| SQM | 5W | 25.0±1.5 | 25.0±1.5 | 13.0±1.0 | 12.0±1.0 | 9.0±1.0 | 8.0±1.0 | 0.78±0.05 |
| SQM | 7W | 39.0±1.5 | 25.0±1.5 | 13.0±1.0 | 13.0±1.0 | 9.0±1.0 | 9.0±1.0 | 0.78±0.05 |
| SQM | 10W | 51.0±1.5 | 35.0±1.5 | 13.0±1.0 | 16.0±1.0 | 10.0±1.0 | 12.0±1.0 | 0.78±0.05 |
| SQM | 15W | 51.0±1.5 | 35.0±1.5 | 13.0±1.0 | 16.0±1.0 | 10.0±1.0 | 12.0±1.0 | 0.78±0.05 |

SPECIFICATIONS

| | 2W | 3W | 5W | 7W | 10W |
|-------------------------------------|----------------|--------------|--------------|-------------|-------------|
| Power Rating 70°C | 3WS | 5WS | 7WS | 10WS | - |
| Series Number | SQM | | | | |
| Operating Temp. Range | -55°C ~ +155°C | | | | |
| Max. Working Voltage | 250V | 350V | 350V | 500V | 500V |
| Max. Overload Voltage | 500V | 700V | 700V | 1000V | 1000V |
| Dielectric Withstanding Voltage(AC) | 500V | 700V | 700V | 1000V | 1000V |
| Value Range ±5% (Ceramic Core) | 0.1Ω - 47Ω | 0.1Ω - 100Ω | 0.1Ω - 180Ω | 0.1Ω - 470Ω | 0.1Ω - 680Ω |
| Value Range ±5% (Metal Oxide Film) | 48Ω - 100KΩ | 110Ω - 100KΩ | 180Ω - 100KΩ | 471Ω - 10KΩ | 681Ω - 10KΩ |
| Temp. Coefficient (PPM) | ±300ppm/°C | | | | |

FIG.1 DERATING CURVE

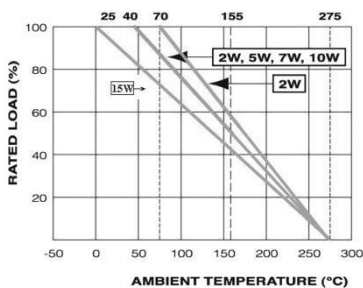


FIG.2 HOT-SPOT TEMPERATURE

