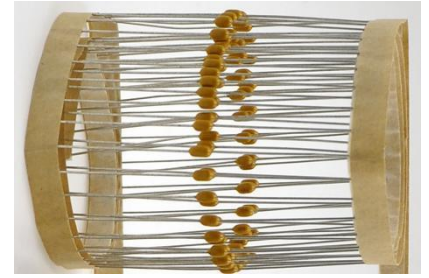


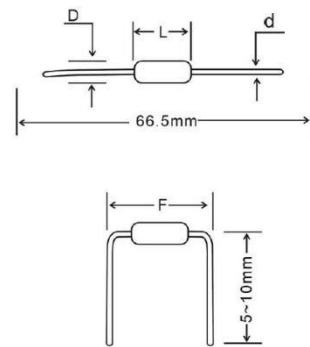
OPERATING TEMPERATURE

Operating Temperature	NPO (COG)	X7R	Y5V (Z5U)
	-55°C~+125°C	-55°C~+125°C	-25°C~+85°C



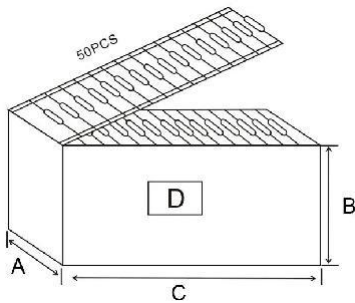
SIZE CODE CAPACITANCE & VOLTAGE

Size Code	L max	D max	F (±0.6)		D (±0.05)	Voltage	NPO (COG)	X7R	Y5V (Z5U)
15	3.8	2.5	5.08	10	0.45	25V	0R5~102	101~333	222~224
						50V	0R5~821	101~223	
						100V	0R5~561	101~472	222~154
17	4.3	2.5	5.08	10	0.45	25V	0R5~332	331~104	103~105
						50V	0R5~222	331~473	
						100V	0R5~102	331~223	103~684
20	5.1	3	5.08	10	0.45	25V	0R5~472	102~224	103~125
						50V	0R5~392	102~104	
						100V	0R5~152	102~683	103~105



PACKAGING STYLE:

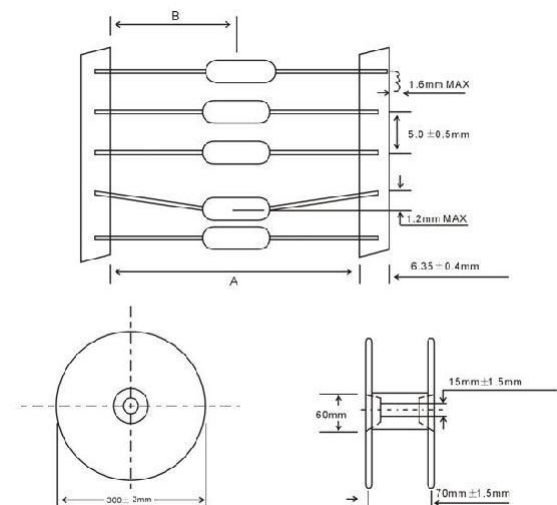
(1) Ammo Package



Tape Style	A	B	C	D
52.4mm	81(±5)mm	72(±5)mm	258(±5)mm	Label

(2) Tape and Reel Package

Tape Style	A	B
Tape width: 52.4mm	52.4±1.5mm	26.2±0.76mm



PN Structure

WCC	101	M	103	N	20	F3	P	52
Series	Voltage	Tolerance	Capacitance	Temperature Characteristics	Size Code	Pitch Size	Package	Tape Width
	<u>1</u>	<u>2</u>	<u>3</u>	<u>4</u>	<u>5</u>	<u>6</u>	<u>7</u>	<u>8</u>

1. Voltage

250	25V
500	50V
101	100V

2. Tolerance

A	B	C	D	F	G	H	J	K	M	Z
±0.05pF	±0.1pF	±0.25pF	±0.5pF	±1%	±2%	±2.5%	±5%	±10%	±20%	+80%-20%

3. Capacitance

103	10x10 ³ pF
4R7	4.7pF

4. Temperature Characteristics

N	NPO	0±30ppm/°C	(-55~+125°C)
B	X7R	±15%	(-55~+125°C)
Y	Y5V	+30-80%	(-25~+85°C)

5. Size Code

15	0.15 Inches
17	0.17 Inches
20	0.2 Inches

6. Pitch Size

F3	5.08 mm
F4	7.5 mm
F6	10 mm

7. Package

T	Tape Reel
P	Ammo

8. Tape Width

26	26.2mm
52	52.4mm

