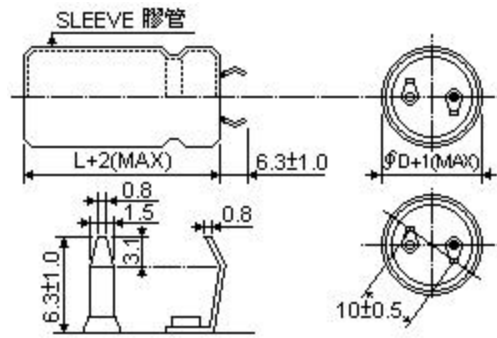


FEATURES

- High ripple current, Smaller size, PCB Mounting
- Load life of 2000 hours at 85°C

DIMENSIONS (mm)



ΦD	35	51	63	78	90
F	13	22	28	32	32

MULTIPLIER FOR RIPPLE CURRENT

Frequency coefficient

Frequency Hz	60	120	300	1,000	10,000	100,000
Coefficient	10~50V	0.90	1.00	1.03	1.05	1.10
	63~100V	0.85	1.00	1.07	1.13	1.19
	160~450V	0.80	1.00	1.15	1.25	1.35

PICTURE



SPECIFICATIONS

Item	Characteristics								
Operating Temperature Range(°C)	-40~+85					-25~+85			
Rated Voltage Range(V)	10~400					450~500			
Capacitance Tolerance(20°C,120Hz)	±20%								
Leakage current(u A)	0.01CV or 1.5mA whichever is smaller(at 20°C,after 5 minutes) C:Nominal Capacitance(u F),V:Rated Voltage(V)								
Dissipation Factor(20°C,120Hz)	voltage(V) CAP(uf)	10~16	25	35~50	63	80~100	voltage(V) ΦD(mm)	160~200	250~500
	≤2700	--	--	0.20	0.15	0.15	22~30	0.10	0.15
	3300~4700	--	0.35	0.25	0.20	0.15	35	0.12	0.15
	5600~6800	0.40	0.35	0.30	0.20	0.20			
	≥8200	0.40	0.35	0.35	0.25	--			
Temperature stability(120HZ)	Rated voltage			10	10~35	50~100	160~200	250~400	450~500
	impedance Ratio	Z-25°C/Z+20°C		5	4	3	3	4	4
		Z-40°C/Z+20°C		18	15	10	6	8	--
Load life(+85°C)	Life Time				2000hours				
	Leakage Current				Initial specified value or less				
	Capacitance change				Within±20% of the initial value				
	Dissipation Factor				Not more than 150% of the specified value				
Shelf Life(+85°C)	Life Time			1000hours					
	Leakage Current			Not more than the specified value					
	Capacitance change			Within±15% of the initial value					
	Dissipation Factor			Not more than 150% of the specified value					
	After test:UR TO be applied for 30 minutes,24 to 48 hours before measurement								



STANDARD RATINGS

VV(v)	cap	Case size	ESR 20°C	Ripple
	(μF)	ΦD*L(mm)	120Hz(mΩ)	Arms
10	10000	22*25	53	2.5
	15000	22*30	35	3.2
	18000	22*35	29	3.6
	18000	25*30	29	3.6
	22000	22*40	24	4
	22000	30*25	24	4.1
	33000	35*25	16	4.8
	39000	25*45	14	5.2
	39000	30*35	14	5.3
	47000	25*50	11	5.8
	47000	30*40	11	6
	47000	35*30	11	6
	56000	35*35	9	6.8
	68000	30*50	8	7.5

VV(v)	cap	Case size	ESR 20°C	Ripple
	(μF)	ΦD*L(mm)	120Hz(mΩ)	Arms
25	5600	22*25	83	2
	6800	22*30	68	2.3
	8200	22*35	57	2.6
	10000	22*40	46	2.9
	10000	25*30	46	2.8
	12000	22*45	39	3.3
	15000	25*40	31	3.7
	15000	35*25	31	3.9
	18000	25*50	26	4.3
	18000	30*35	26	4.2
	18000	35*30	26	4.4
	22000	30*40	21	4.8
	33000	35*40	14	6.5
	39000	35*45	12	7.5



WV(v)	cap	Case size	ESR 20°C	Ripple
	(μF)	ΦD*L(mm)	120Hz(mΩ)	Arms
16	8200	22*25	65	2.2
	10000	22*30	53	2.6
	10000	25*25	53	2.6
	12000	22*35	44	2.9
	15000	22*40	35	3.3
	15000	25*30	35	3.3
	15000	30*25	35	3.4
	18000	22*45	29	3.8
	18000	25*35	29	3.7
	22000	22*50	24	4.2
	22000	25*40	24	4.2
	22000	35*25	24	4.4
	27000	25*45	20	5
	33000	30*40	16	5.6
	33000	35*30	16	5.6
	39000	30*45	14	6.2
	39000	35*35	14	6.3
	47000	30*50	11	7
	47000	35*40	11	7.2
	56000	35*45	9	8

WV(v)	cap	Case size	ESR 20°C	Ripple
	(μF)	ΦD*L(mm)	120Hz(mΩ)	Arms
35	3300	22*25	101	1.8
	3900	22*30	85	2.1
	4700	25*25	71	2.2
	5600	22*35	71	2.3
	5600	25*30	71	2.3
	6800	22*40	59	2.9
	6800	25*35	59	2.6
	6800	30*25	59	2.7
	8200	22*50	57	2.8
	8200	25*40	57	2.8
	8200	30*30	57	2.8
	8200	35*25	57	2.9
	10000	25*45	46	3.1
	12000	25*50	39	3.5
	12000	30*40	39	3.5
	15000	30*45	31	4.1
	15000	35*35	31	4.1
	18000	30*50	26	4.6
	18000	35*40	26	4.7
	22000	35*45	21	5.3
	27000	35*50	17	7
	22000	35*45	21	5.3
	27000	35*50	17	7

Note: Other Values are available on request. WEET is capable of doing custom service for you.



WEE Technology Company Limited
ROOM 1405, 14/F, LUCKY CENTRE,
171 WANCHAI ROAD,
WANCHAI, HONG KONG
www.weetcap.com
info@weetcap.com

All details in this data sheet are subject to change without notice.
For more details and updates, please visit our website.

Copyright © 2000 WEE Technology, All rights reserved.



VV(v)	cap	Case size	ESR 20°C	Ripple
	(μF)	ΦD*L(mm)	120Hz(mΩ)	Arms
50	2200	22*25	121	1.7
	2700	22*30	98	1.9
	2700	25*25	98	1.9
	3900	22*35	85	2.1
	3900	30*25	85	2.4
	4700	22*40	71	2.4
	5600	22*50	71	2.5
	6800	25*45	59	2.8
	8200	30*40	57	3
	10000	30*45	46	3.4
	12000	30*50	39	3.8
	15000	35*50	31	4.5
	22000	35*60	21	5.8
	63	1500	22*25	133
2200		22*30	90	2
2700		22*35	74	2.2
3300		25*35	80	2.3
3900		22*45	68	2.5
3900		30*30	68	2.6
4700		35*25	68	2.7
5600		30*35	56	2.8
6800		35*30	47	3.3
8200		30*50	40	3.7
10000		35*40	40	3.8
12000		35*45	28	4.8
15000		35*50	22	5.2
18000		35*60	18	5.6

VV(v)	cap	Case size	ESR 20°C	Ripple	
	(μF)	ΦD*L(mm)	120Hz(mΩ)	Arms	
80	1000	22*25	199	1.3	
	1200	22*30	166	1.5	
	1500	25*25	133	1.7	
	1800	22*35	111	1.9	
	2200	22*40	90	2.1	
	2200	25*35	90	2.2	
	2700	22*50	74	2.5	
	3300	25*45	60	2.8	
	3900	30*40	51	3.2	
	4700	30*45	42	3.6	
	5600	30*50	47	3.5	
	6800	35*50	39	4.1	
	8200	35*50	32	4.3	
	10000	35*60	27	4.6	
	100	680	22*25	293	1.1
		820	22*30	243	1.2
1000		25*25	199	1.4	
1200		22*35	166	1.6	
1200		25*30	166	1.6	
1500		22*40	133	1.8	
1500		25*35	133	1.7	
1500		30*25	133	1.8	
1800		22*50	111	2.1	
1800		25*40	111	2	
1800		30*30	111	2.1	
1800		35*25	111	2.2	
2200		25*45	90	2.2	
2700		25*50	74	2.6	
3300		35*35	60	3.1	
3900		30*50	51	3.4	
4700	35*50	42	4		



WV(v)	cap	Case size	ESR 20°C	Ripple
	(μF)	ΦD*L(mm)	120Hz(mΩ)	Arms
160	330	22*25	483	1.3
	390	22*30	408	1.5
	390	25*25	408	1.5
	560	22*35	284	1.9
	560	25*30	284	1.9
	560	30*25	284	2
	680	22*40	234	2.1
	680	25*35	234	2.2
	820	22*50	194	2.5
	820	35*25	194	2.4
	1000	35*30	159	2.7
	1200	25*50	133	3.1
	1200	30*40	133	3.2
	1500	30*45	106	3.7
	1800	35*45	88	3.9
	2200	35*50	72	4.5
180	270	22*25	590	1.2
	330	22*30	483	1.4
	390	25*25	408	1.5
	470	22*35	339	1.7
	470	25*30	339	1.7
	560	22*40	284	1.9
	560	25*35	284	2
	680	30*30	234	2.3
	680	35*25	234	2.2
	820	25*45	194	2.5
	820	30*35	194	2.6
	820	35*30	194	2.5
	1000	30*40	159	2.9
	1200	30*45	133	3.3
	1200	35*35	133	3.1
	1500	35*45	106	3.6
1800	35*50	88	4.1	

WV(v)	cap	Case size	ESR 20°C	Ripple
	(μF)	ΦD*L(mm)	120Hz(mΩ)	Arms
200	220	22*25	724	1.1
	330	22*30	483	1.4
	330	25*25	483	1.4
	390	22*35	408	1.6
	390	25*30	408	1.6
	470	22*35	339	1.8
	470	30*25	339	1.9
	560	22*45	284	2
	560	25*35	284	2
	680	25*40	234	2.3
	820	30*40	194	2.7
	820	35*30	194	2.5
	1000	30*45	159	3.1
	1200	30*50	133	3.4
	1500	35*50	106	3.8
	250	180	22*25	1106
220		22*30	905	1.1
220		25*25	905	1.1
270		22*35	737	1.2
330		22*40	603	1.4
330		25*30	603	1.4
390		22*45	510	1.6
390		25*35	510	1.6
470		30*30	423	1.8
470		35*25	423	2.4
560		25*45	355	2
560		30*35	355	2
680		30*40	293	2.3
820		30*45	243	2.6
820		35*35	243	2.6
1000		35*40	199	3
1200	35*45	166	3.4	



WEE Technology Company Limited
ROOM 1405, 14/F, LUCKY CENTRE,
171 WANCHAI ROAD,
WANCHAI, HONG KONG
www.weetcap.com
info@weetcap.com

All details in this data sheet are subject to change without notice.
For more details and updates, please visit our website.

Copyright © 2000 WEE Technology, All rights reserved.



WV(v)	cap	Case size	ESR 20°C	Ripple
	(μF)	ΦD*L(mm)	120Hz(mΩ)	Arms
350	82	22*25	2427	0.64
	120	22*30	1659	0.82
	120	25*25	1659	0.81
	150	22*35	1327	0.94
	150	25*30	1327	0.94
	180	22*40	1106	1.1
	180	30*25	1106	1.1
	220	22*45	905	1.2
	270	25*45	737	1.4
	330	35*30	603	1.6
	390	30*40	510	1.7
	390	35*35	510	1.8
	470	30*45	423	2
	470	35*40	423	2
	560	35*45	355	2.3
680	35*50	293	2.6	

450	47	22*25	4235	0.45
	68	22*30	2927	0.57
	100	25*25	1990	0.73
	120	22*40	1659	0.8
	150	22*40	1327	1
	180	35*40	1106	1.1
	220	22*50	905	1.2
	270	30*40	737	1.4
	330	30*45	603	1.7
	470	35*45	423	2.2
	560	35*50	355	2.4
	680	35*60	293	2.7
	820	35*65	243	3

WV(v)	cap	Case size	ESR 20°C	Ripple
	(μF)	ΦD*L(mm)	120Hz(mΩ)	Arms
400	68	22*25	2927	0.55
	100	22*30	1990	0.7
	100	25*25	1990	0.7
	120	22*35	1659	0.79
	150	22*45	1327	0.9
	150	25*30	1327	0.89
	150	30*25	1327	0.95
	180	25*35	1106	1
	220	35*25	905	1.3
	270	35*30	737	1.5
	330	30*40	603	1.6
	330	35*35	603	1.7
	390	30*45	510	1.8
	470	30*50	423	2
	470	35*40	423	1.9
	560	35*50	355	2.4
	680	35*50	293	2.6
	820	35*50	243	2.8
1000	35*60	199	3.4	
500	100	25*40	1990	0.85
	120	30*30	1659	1
	150	30*35	1327	1.2
	220	25*50	905	1.2
	220	35*35	905	1.5
	180	30*40	1106	1.4
	180	35*30	1106	1.3
	270	30*50	737	1.8
	330	35*45	603	2
	390	35*50	510	2.3
	470	35*60	423	2.6



PN Structure

WEA	1A	223	M	02200400	100	B	R
 Series	 Rated Voltage	 Capacitance	 Capacitance Tolerance	 Dimension	 Pitch/ Pins	 Packing	 Pb
	1.	2.	3.	4.	5.	6.	7.

1. Rated Voltage

Code	0J	1A	1C	1D	1E	1V	1G	1H	1J	1K	2A	2B
Voltage	6.3V	10V	16V	20V	25V	35V	40V	50V	63V	80V	100V	120V
Code	2C	2K	2D	2E	2F	2U	2V	2G	2X	2W	2H	2Y
Voltage	160V	180V	200V	250V	315V	330V	350V	400V	420V	450V	500V	550V

2. Capacitance

Code	0R1	R22	R33	R47	010	2R2	3R3	4R7	100	470	101	562	223	334
Capacitance (μF)	0.1	0.22	0.33	0.47	1	2.2	3.3	4.7	10	47	100	5600	22000	330000

3. Capacitance Tolerance

Code	K	L	M
Tolerance	±10%	±15%	±20%

4. Dimension

Code	00500095	00630085	03600530	07701550
Dimension (mm)	5x9.5	6.3x8.5	36x53	77x155

5. Pitch

Code	020	025	075	100	220	320
Pitch (mm)	2.0	2.5	7.5	10.0	22	32

6. Packing

Code	A	B
Packing	Ammo	Bulk

7. Pb

Code	L	R
Pb	Leaded	RoHS

