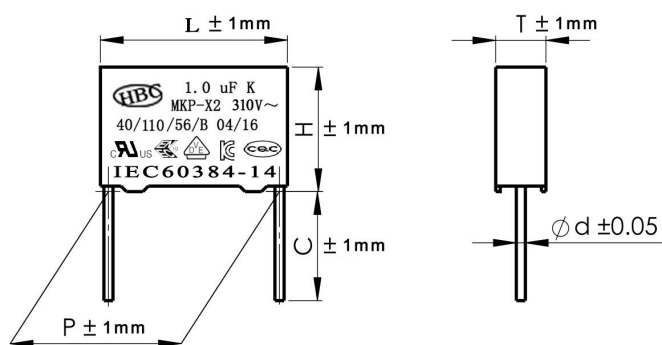


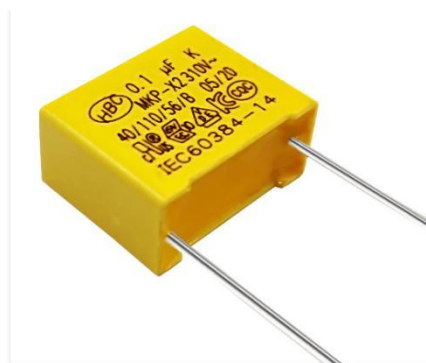
FEATURES

- Non-inductive, (UL940V-0) plastic case sealed with epoxy resin.
- Provides interference suppression with CQC, VDE, ENEC, KC and UL approvals.
- Used in across-the-line, interference suppression circuit

DRAWING (mm)



PICTURE



SPECIFICATIONS

Operating Temperature	-40°C ~ +110°C
Voltage Rating	310VAC
Capacitance Range	0.0047 ~ 10.0μF
Capacitance Tolerance	±10% (K) standard,
Package	Bulk, Ammo Tape Package
Insulation Resistance	CR ≤ 0.33 μF, I.R ≥ 15,000MΩ CR > 0.33 μF, I.R ≥ 5,000S (20°C, 100V, 1min)
Dissipation Factor	0.0010μF ≤ CR ≤ 0.47μF ≤ 0.1% (1KHz, 20°C) 0.47μF ≤ CR ≤ 1.0μF ≤ 0.2% (1KHz, 20°C) 1.0μF ≤ CR ≤ 10μF ≤ 0.3% (1KHz, 20°C)
Voltage Proof	4.3UR DC /5s



WEE Technology Company Limited
FLAT/RM 705, 7/F, FA YUEN COMM
BLDG NO.75, FA YUEN STREET, MONG
KOK, KL, HONG KONG
www.weetcap.com
info@weetcap.com

All details in this data sheet are subject to change without notice.
For more details and updates, please visit our website.

Copyright © 2000 WEE Technology, All rights reserved.



SIZE TABLE (mm)

Remark: "*" stands for common size.

CAP	L±1.0	H±1.0	T±1.0	P±1.0	d Ø±0.05	Standard leads 20mm Min	
0.0047	13	9	4	10	0.6	WFCQ3472K100000BRR	
0.0047	13	11	5	10	0.6	WFCQ3472K100000BR01	*
0.0056	13	9	4	10	0.6	WFCQ3562K100000BR	
0.0056	13	11	5	10	0.6	WFCQ3562K100000BR01	*
0.0068	13	9	4	10	0.6	WFCQ3682K100000BR	
0.0068	13	11	5	10	0.6	WFCQ3682K100000BR01	*
0.0082	13	9	4	10	0.6	WFCQ3822K100000BR	
0.0082	13	11	5	10	0.6	WFCQ3822K100000BR01	*
0.01	13	9	4	10	0.6	WFCQ3103K100000BR01	
0.01	13	11	5	10	0.6	WFCQ3103K100000BR	*
0.01	18	11	5	15	0.8	WFCQ3103K150000BR	*
0.012	13	9	4	10	0.6	WFCQ3123K100000BR01	
0.012	13	11	5	10	0.6	WFCQ3123K100000BR	*
0.012	18	11	5	15	0.8	WFCQ3123K150000BR	*
0.015	13	9	4	10	0.6	WFCQ3153K100000BR01	
0.015	13	11	5	10	0.6	WFCQ3153K100000BR	*
0.015	18	11	5	15	0.8	WFCQ3153K150000BR	*
0.018	13	9	4	10	0.6	WFCQ3183K100000BR01	
0.018	13	11	5	10	0.6	WFCQ3183K100000BR	*
0.018	18	11	5	15	0.8	WFCQ3183K150000BR	*
0.02	13	9	4	10	0.6	WFCQ3203K100000BR01	
0.02	13	11	5	10	0.6	WFCQ3203K100000BR	*
0.02	18	11	5	15	0.8	WFCQ3203K150000BR	*
0.022	13	9	4	10	0.6	WFCQ3223K100000BR01	
0.022	13	11	5	10	0.6	WFCQ3223K100000BR	*
0.022	18	11	5	15	0.8	WFCQ3223K150000BR	*
0.027	13	9	4	10	0.6	WFCQ3273K100000BR01	
0.027	13	11	5	10	0.6	WFCQ3273K100000BR	*
0.027	18	11	5	15	0.8	WFCQ3273K150000BR	*
0.033	13	9	4	10	0.6	WFCQ3333K100000BR01	
0.033	13	11	5	10	0.6	WFCQ3333K100000BR	*
0.033	18	11	5	15	0.8	WFCQ3333K150000BR	*
0.033	18	12	6	15	0.8	WFCQ3333K150000BR01	
0.039	13	11	5	10	0.6	WFCQ3393K100000BR	
0.039	13	12	6	10	0.6	WFCQ3393K100000BR01	*
0.039	18	11	5	15	0.8	WFCQ3393K150000BR	*
0.047	13	11	5	10	0.6	WFCQ3473K100000BR	
0.047	13	12	6	10	0.6	WFCQ3473K100000BR01	*
0.047	18	11	5	15	0.8	WFCQ3473K150000BR	*
0.056	13	11	5	10	0.6	WFCQ3563K100000BR01	*
0.056	13	12	6	10	0.6	WFCQ3563K100000BR	
0.056	13	13	7	10	0.6	WFCQ3563K100000BR02	
0.056	13	15	8	10	0.6	WFCQ3563K100000BR03	
0.056	18	11	5	15	0.8	WFCQ3563K150000BR	*
0.068	12	11	5	10	0.6	WFCQ3683K100000BR01	



WEE Technology Company Limited
FLAT/RM 705, 7/F, FA YUEN COMM
BLDG NO.75, FA YUEN STREET, MONG
KOK, KL, HONG KONG
www.weetcap.com
info@weetcap.com

All details in this data sheet are subject to change without notice.
For more details and updates, please visit our website.



Copyright © 2000 WEE Technology, All rights reserved.

SIZE TABLE (mm)

Remark: "*" stands for common size.

CAP	L±1.0	H±1.0	T±1.0	P±1.0	d Ø±0.05	Standard leads 20mm Min	
0.068	13	12	6	10	0.6	WFCQ3683K100000BR	*
0.068	13	15	8	10	0.6	WFCQ3683K100000BR02	
0.068	18	11	5	15	0.8	WFCQ3683K150000BR	*
0.082	12	11	5	10	0.6	WFCQ3823K100000BR01	
0.082	13	12	6	10	0.6	WFCQ3823K100000BR	*
0.082	13	13	7	10	0.6	WFCQ3823K100000BR02	
0.082	13	15	8	10	0.6	WFCQ3823K100000BR03	
0.082	18	11	5	15	0.8	WFCQ3823K150000BR	*
0.1	13	11	5	10	0.6	WFCQ3104K100000BR01	*
0.1	13	12	6	10	0.6	WFCQ3104K100000BR	
0.1	13	13	7	10	0.6	WFCQ3104K100000BR02	
0.1	13	15	8	10	0.6	WFCQ3104K100000BR03	
0.1	18	11	5	15	0.8	WFCQ3104K150000BR01	*
0.1	18	12	6	15	0.8	WFCQ3104K150000BR	
0.1	18	13.5	7.5	15	0.8	WFCQ3104K150000BR02	
0.1	18	14.5	8.5	15	0.8	WFCQ3104K150000BR03	
0.1	26.5	15	6	22.5	0.8	WFCQ3104K225000BR	*
0.12	13	12	6	10	0.6	WFCQ3124K100000BR01	*
0.12	13	13	7	10	0.6	WFCQ3124K100000BR	
0.12	18	12	6	15	0.8	WFCQ3124K150000BR	*
0.13	18	12	6	15	0.8	WFCQ3134K150000BR	*
0.14	18	12	6	15	0.8	WFCQ3144K150000BR	*
0.15	13	12	6	10	0.6	WFCQ3154K100000BR	*
0.15	13	13	7	10	0.6	WFCQ3154K100000BR01	
0.15	13	14	8	10	0.6	WFCQ3154K100000BR02	
0.15	18	12	6	15	0.8	WFCQ3154K150000BR	*
0.15	18	13.5	7.5	15	0.8	WFCQ3154K150000BR02	
0.15	18	14.5	8.5	15	0.8	WFCQ3154K150000BR01	
0.15	26.5	15	6	22.5	0.8	WFCQ3154K225000BR	*
0.15	26.5	16.5	7	22.5	0.8	WFCQ3154K225000BR01	
0.18	13	13	7	10	0.6	WFCQ3184K100000BR	*
0.18	13	14	8	10	0.6	WFCQ3184K100000BR01	
0.18	13	16.5	9	10	0.6	WFCQ3184K100000BR02	
0.18	18	12	6	15	0.8	WFCQ3184K150000BR01	*
0.18	18	13.5	7.5	15	0.8	WFCQ3184K150000BR	
0.18	18	14.5	8.5	15	0.8	WFCQ3184K150000BR02	
0.18	18	15.5	9.5	15	0.8	WFCQ3184K150000BR03	
0.18	26.5	15	6	22.5	0.8	WFCQ3184K225000BR	*
0.2	18	14.5	8.5	15	0.8	WFCQ3204K150000BR	*
0.2	18	15.5	9.5	15	0.8	WFCQ3204K150000BR01	
0.2	26.5	15	6	22.5	0.8	WFCQ3204K225000BR	*
0.2	26.5	16.5	7	22.5	0.8	WFCQ3204K225000BR01	
0.22	13	12	6	10	0.6	WFCQ3224K100000BR	*
0.22	13	14	8	10	0.6	WFCQ3224K100000BR01	



WEE Technology Company Limited
FLAT/RM 705, 7/F, FA YUEN COMM
BLDG NO.75, FA YUEN STREET, MONG
KOK, KL, HONG KONG
www.weetcap.com
info@weetcap.com

All details in this data sheet are subject to change without notice.
For more details and updates, please visit our website.



Copyright © 2000 WEE Technology, All rights reserved.

SIZE TABLE (mm)

Remark: "*" stands for common size.

CAP	L±1.0	H±1.0	T±1.0	P±1.0	d Ø±0.05	Standard leads 20mm Min	
0.22	13	15	8	10	0.6	WFCQ3224K10000BR02	
0.22	13	16.5	9	10	0.6	WFCQ3224K10000BR03	
0.22	18	12	6	15	0.8	WFCQ3224K15000BR	*
0.22	18	13	7	15	0.8	WFCQ3224K15000BR01	
0.22	18	13.5	7.5	15	0.8	WFCQ3224K15000BR02	
0.22	18	14.5	8.5	15	0.8	WFCQ3224K15000BR03	
0.22	18	15.5	9.5	15	0.8	WFCQ3224K15000BR04	
0.22	26.5	15	6	22.5	0.8	WFCQ3224K22500BR	*
0.22	26.5	16.5	7	22.5	0.8	WFCQ3224K22500BR01	
0.27	18	13.5	7.5	15	0.8	WFCQ3274K15000BR01	*
0.27	18	14.5	8.5	15	0.8	WFCQ3274K15000BR	
0.27	18	16	10	15	0.8	WFCQ3274K15000BR02	
0.27	26.5	15	6	22.5	0.8	WFCQ3274K22500BR01	*
0.27	26.5	16.5	7	22.5	0.8	WFCQ3274K22500BR	
0.33	18	12	6	15	0.8	WFCQ3334K15000BR01	*
0.33	18	13.5	7.5	15	0.8	WFCQ3334K15000BR02	
0.33	18	14.5	8.5	15	0.8	WFCQ3334K15000BR	
0.33	18	15.5	9.5	15	0.8	WFCQ3334K15000BR03	
0.33	18	16	10	15	0.8	WFCQ3334K15000BR04	
0.33	26.5	15	6	22.5	0.8	WFCQ3334K22500BR01	*
0.33	26.5	16.5	7	22.5	0.8	WFCQ3334K22500BR	
0.33	26.5	17	8.5	22.5	0.8	WFCQ3334K22500BR02	
0.39	18	14.5	8.5	15	0.8	WFCQ3394K15000BR01	*
0.39	18	15.5	9.5	15	0.8	WFCQ3394K15000BR03	
0.39	18	16	10	15	0.8	WFCQ3394K15000BR04	
0.39	18	16.5	8.4	15	0.8	WFCQ3394K15000BR02	
0.39	18	19	11	15	0.8	WFCQ3394K15000BR	
0.39	26.5	15	6	22.5	0.8	WFCQ3394K22500BR01	*
0.39	26.5	16.5	7	22.5	0.8	WFCQ3394K22500BR02	
0.39	26.5	17	8.5	22.5	0.8	WFCQ3394K22500BR	
0.41	26.5	17	8.5	22.5	0.8	WFCQ3414K22500BR	*
0.47	18	13.5	7.5	15	0.8	WFCQ3474K15000BR02	
0.47	18	14.5	8.5	15	0.8	WFCQ3474K15000BR03	*
0.47	18	15.5	9.5	15	0.8	WFCQ3474K15000BR	
0.47	18	16	10	15	0.8	WFCQ3474K15000BR01	
0.47	18	19	11	15	0.8	WFCQ3474K15000BR04	
0.47	26	21.5	12	22.5	0.8	WFCQ3474K22500BR04	
0.47	26.5	15	6	22.5	0.8	WFCQ3474K22500BR02	*
0.47	26.5	16.5	7	22.5	0.8	WFCQ3474K22500BR01	
0.47	26.5	17	8.5	22.5	0.8	WFCQ3474K22500BR	
0.47	26.5	19	10	22.5	0.8	WFCQ3474K22500BR03	
0.47	31.5	19.5	10.8	27.5	0.8	WFCQ3474K27500BR	*
0.56	18	16	10	15	0.8	WFCQ3564K15000BR	*
0.56	18	19	11	15	0.8	WFCQ3564K15000BR01	
0.56	26.5	16.5	7	22.5	0.8	WFCQ3564K22500BR01	*
0.56	26.5	17	8.5	22.5	0.8	WFCQ3564K22500BR02	



WEE Technology Company Limited
FLAT/RM 705, 7/F, FA YUEN COMM
BLDG NO.75, FA YUEN STREET, MONG
KOK, KL, HONG KONG
www.weetcap.com
info@weetcap.com

All details in this data sheet are subject to change without notice.
For more details and updates, please visit our website.



Copyright © 2000 WEE Technology, All rights reserved.

SIZE TABLE (mm)

Remark: "*" stands for common size.

CAP	L±1.0	H±1.0	T±1.0	P±1.0	d Ø±0.05	Standard leads 20mm Min	
0.56	26.5	19	10	22.5	0.8	WFCQ3564K225000BR	
0.56	31.5	19.5	10.8	27.5	0.8	WFCQ3564K275000BR	*
0.68	18	19	11	15	0.8	WFCQ3684K150000BR	*
0.68	26.5	17	8.5	22.5	0.8	WFCQ3684K225000BR01	*
0.68	26.5	19	10	22.5	0.8	WFCQ3684K225000BR	
0.68	31	25	14	27.5	0.8	WFCQ3684K275000BR01	
0.68	31.5	19.5	10.8	27.5	0.8	WFCQ3684K275000BR	*
0.82	26	21.5	12	22.5	0.8	WFCQ3824K225000BR	
0.82	26.5	19	10	22.5	0.8	WFCQ3824K225000BR01	*
0.82	31.5	19.5	10.8	27.5	0.8	WFCQ3824K275000BR	*
1.0	26	20	11	22.5	0.8	WFCQ3105K225000BR02	
1.0	26	21.5	12	22.5	0.8	WFCQ3105K225000BR	
1.0	26.5	19	10	22.5	0.8	WFCQ3105K225000BR01	*
1.0	31.5	19.5	10.8	27.5	0.8	WFCQ3105K275000BR	*
1.0	31.5	21.6	13	27.5	0.8	WFCQ3105K275000BR01	
1.2	26	20	11	22.5	0.8	WFCQ3125K225000BR01	
1.2	26	21.5	12	22.5	0.8	WFCQ3125K225000BR02	
1.2	26.5	19	10	22.5	0.8	WFCQ3125K225000BR	*
1.2	31.5	19.5	10.8	27.5	0.8	WFCQ3125K275000BR01	*
1.2	31.5	21.6	13	27.5	0.8	WFCQ3125K275000BR	
1.5	26	21.5	12	22.5	0.8	WFCQ3155K225000BR	*
1.5	31	25	14	27.5	0.8	WFCQ3155K275000BR02	
1.5	31.5	19.5	10.8	27.5	0.8	WFCQ3155K275000BR01	*
1.5	31.5	21.6	13	27.5	0.8	WFCQ3155K275000BR	
1.8	31	25	14	27.5	0.8	WFCQ3185K275000BR	
1.8	31.5	21.6	13	27.5	0.8	WFCQ3185K275000BR01	*
2.2	31	25	14	27.5	0.8	WFCQ3225K275000BR	*
2.2	32	25.5	16	27.5	0.8	WFCQ3225K275000BR01	
2.2	32	28	18	27.5	0.8	WFCQ3225K275000BR02	
2.2	42	28	14	37.5	0.8	WFCQ3225K375000BR	*
2.7	31	25	14	27.5	0.8	WFCQ3275K275000BR01	
2.7	32	25.5	16	27.5	0.8	WFCQ3275K275000BR02	*
2.7	32	28	18	27.5	0.8	WFCQ3275K275000BR	
2.7	42	28	14	37.5	0.8	WFCQ3275K375000BR	*
2.8	32	25.5	16	27.5	0.8	WFCQ3285K275000BR	*
3.3	32	28	18	27.5	0.8	WFCQ3335K275000BR	*
3.3	41	32	17	37.5	0.8	WFCQ3335K375000BR	*
3.9	41	32	17	37.5	0.8	WFCQ3395K375000BR	*
4.7	32	37	22	27.5	0.8	WFCQ3475K275000BR	*
4.7	41	33.5	18.5	37.5	0.8	WFCQ3475K375000BR	*
5.6	41	37	22	37.5	0.8	WFCQ3565K375000BR	*
6.8	41	37	22	37.5	0.8	WFCQ3685K375000BR	*
8.2	41	41	26	37.5	0.8	WFCQ3825K375000BR	*
10.0	41	43	28	37.5	0.8	WFCQ3106K375000BR	*

Remark: 01/02/03/04 behind PN stands for different size of the same capacitance.



WEE Technology Company Limited
FLAT/RM 705, 7/F, FA YUEN COMM
BLDG NO.75, FA YUEN STREET, MONG
KOK, KL, HONG KONG
www.weetcap.com
info@weetcap.com

All details in this data sheet are subject to change without notice.
For more details and updates, please visit our website.



Copyright © 2000 WEE Technology, All rights reserved.

PN Structure

WFCQ3105K225000BR

WFC X2 310VAC 1uF ±10% P: 22.5mm Bulk RoHS

WFC	Q3	105	K	225	000	B	R
<u>Series</u>	<u>Voltage</u>	<u>Capacitance</u>	<u>Capacitance</u>	<u>Pitch</u>	<u>Lead Length</u>	<u>Packing</u>	<u>Pb</u>
	1.	2.	3.	4.	5.	6.	7.

1, Voltage

Code	1H	1J	2A	2C	2D	2E	2G	2S	2T	2J	2V	3A	4M	3C	3D
VDC	50V	63V	100V	160V	200V	250V	400V	450V	520V	630V	760V	1000V	1500V	1600V	2000V
Code	P1	P2	Q1	Q2	Q3	G2	S2	H2	U1	65	V1	Other Voltage Code, Please consult WEET !			
VAC	250 VAC	275 VAC	300 VAC	305 VAC	310 VAC	400 VAC	450 VAC	500 VAC	600 VAC	650 VAC	700 VAC				

Note: Letter and number indicate VAC, Number and Letter indicate VDC. For example, A2=100VAC, 2A=100VDC

2, Capacitance

Code	100	101	102	103	104	105	106	223	474
Values	10pF	100pF	1000pF	0.01uF	0.1uF	1uF	10uF	0.022uF	0.47uF

3, Capacitance Tolerance

Code	F	G	E	J	K	M
Tolerance	±1%	±2%	±3%	±5%	±10%	±20%

4, Pitch

Code	035	040	050	075	100	150	200	225	275	000
Pitch (mm)	3.5	4.0	5.0	7.5	10.0	15.0	20.0	22.5	27.5	Axial

5, Lead Length

Code	000	035	040	050	075	100	150	200	225	275	350	550
Length (mm)	Standard	3.5	4.0	5.0	7.5	10.0	15.0	20.0	22.5	27.5	35	55

6, Packing

Code	A	B	R
Packing	Ammo	Bulk	Tape Reel

7,Pb

Code	R
Pb	RoHS



WEE Technology Company Limited
FLAT/RM 705, 7/F, FA YUEN COMM
BLDG NO.75, FA YUEN STREET, MONG
KOK, KL, HONG KONG
www.weetcap.com
info@weetcap.com

All details in this data sheet are subject to change without notice.
For more details and updates, please visit our website.

Copyright © 2000 WEE Technology, All rights reserved.

