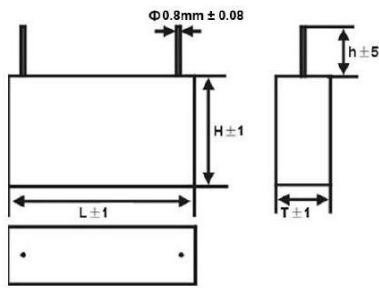


FEATURES

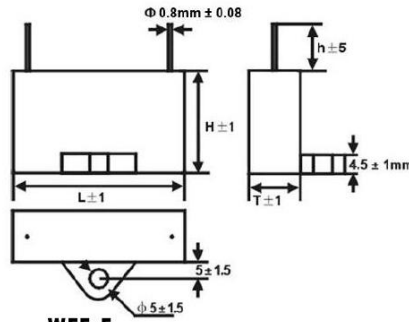
- Electrical apparatus use metalized film with precisely quality control
- Low D.F. (dissipation factor), lower temperature rise.
- High I.R. (insulation resistance) small size
- High safety & high reliability
- Durability and characteristics of frequency, etc

DRAWING (mm)

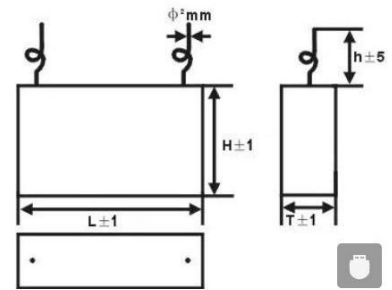
WFF-A



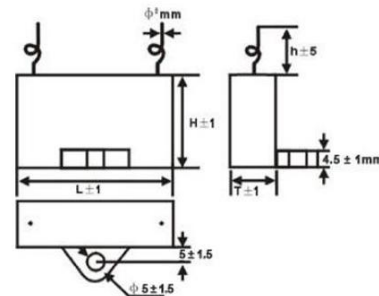
WFF-B



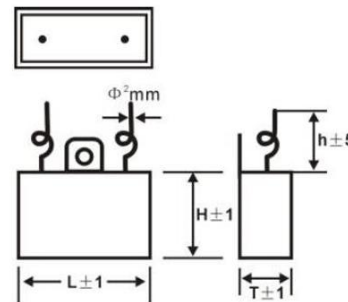
WFF-C



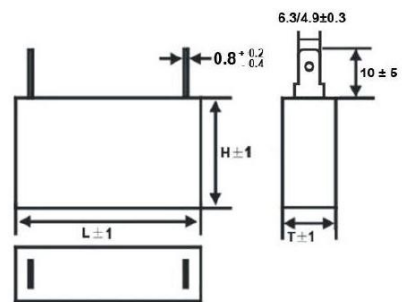
WFF-D



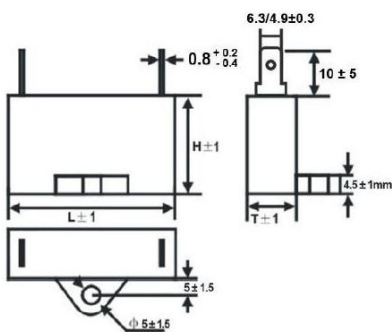
WFF-E



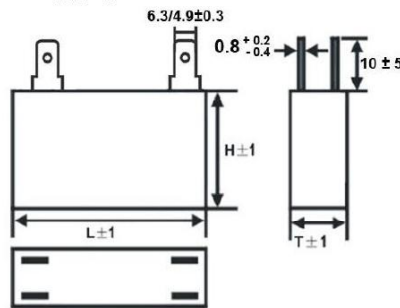
WFF-F



WFF-G



WFF-H



PICTURE



SPECIFICATIONS

Operating Condition	-40°C ~ +85°C
Capacitance Range	1μF ~ 20μF
Capacitance Tolerance	J(±5%)、K(±10%)
Rated Voltage	250V 450V (AC)
Withstand Voltage	AC≥2UR 2S(I _{max} ≤1.3 I _{nA})
Dissipation Factor	≤0.003 1KHz
Insulation Resistance	≥3000S



SIZE TABLE (mm)

CAP	WFF-G, WFF-B						WFF-H, WFF-F					
	250VAC			450VAC			250VAC			450VAC		
μF	L	T	H	L	T	H	L	T	H	L	T	H
0.5	26.5	12.5	21	26.5	12.5	21	26.5	12	20	25.5	12	20
1	26.5	12.5	21	32	14	24	26.5	12	20	32	14	25
2	32	14	24	37	17	28	32	14	25	37	17	28
2.5	32	14	24	37	17	28	32	14	25	37	17	28
3	32	14	24	38	20	30	32	14	25	38	20	30
5	37	17	28	47	20	34	37	17	28	47	20	34
6	37	17	28	47	23	34	37	17	28	47	23	34
8	47	17.5	33	47	28	34	47	18	32	47	28	34
10	47	17.5	33	47	32	40	47	18	32	47	30	40
12	47	23	34	47	32	43	47	23	34	--	--	--
15	47	25	34	--	--	--	47	25	34	--	--	--
20	47	28	37	--	--	--	47	28	37	--	--	--

CAP	WFF-A								WFF-C					
	250VAC				450VAC				250VAC			450VAC		
μF	L	T	H	P	L	T	H	P	L	T	H	L	T	H
0.5	32	10	20	27.5	32	10	20	27.5	32	10	20	32	10	20
1.0	32	10	20	27.5	36	10	20	31.5	32	10	20	36	10	20
1.2	36	10	20	31.5	36	11	22	31.5	36	10	20	36	11	22
1.5	36	10	20	31.5	36	12	22	31.5	36	10	20	36	12	22
1.8	36	11	22	31.5	36	12	22	31.5	36	11	22	36	12	22
2.0	36	11	22	31.5	37	13	23	31.5	36	11	22	37	13	23
2.5	37	12	21	31.5	38	15	25	31.5	37	12	21	38	15	25
3.0	37	13	23	31.5	38	17	28	31.5	37	13	23	38	17	28
3.5	38	15	25	31.5	38	18.5	29	31.5	38	15	25	38	18.5	29
4.0	38	17	28	31.5	38	18.5	29	31.5	38	17	28	38	18.5	29
4.5	38	17	28	31.5	38	21	32	31.5	38	17	28	38	21	32
5.0	38	18.5	29	31.5	38	21	32	31.5	38	18.5	29	38	21	32
6.0	38	19.5	31	31.5	38	21	32	31.5	38	19.5	31	38	21	32
7.0	38	21	32	31.5	47	23	35	41.5	38	21	32	47	23	35
8.0	38	21	32	31.5	47	23	35	41.5	38	21	32	47	23	35
10.0	47	23	35	41.5	47	23	35	41.5	47	23	35	47	23	35
12.0	47	23	35	41.5	48	33	45	41.5	47	23	35	48	33	45
15.0	47	23	35	41.5	48	33	45	41.5	47	23	35	48	33	45
16.0	47	23	35	41.5	57	32	44	51.5	47	23	35	57	32	44
18.0	47	23	35	41.5	57	32	44	51.5	47	23	35	57	32	44
20.0	48	33	45	41.5	57	32	44	51.5	48	33	45	57	32	44

CAP	WFF-D, WEE-E						CAP	WFF-D, WEE-E					
	250VAC			450VAC				250VAC			450VAC		
μF	L	T	H	L	T	H	μF	L	T	H	L	T	H
0.5	32	10	20	32	10	20	5	38	18.5	29	38	24	33
1	32	10	20	36	10	20	6	38	19.5	31	38	24	33
1.2	36	10	20	36	11	22	7	38	21	32	47	23	35
1.5	36	10	20	36	12	22	8	38	24	33	47	26	38
1.8	36	11	22	36	12	22	10	47	23	35	47	26	38
2	36	11	22	37	13	23	12	47	23	35	48	33	45
2.5	37	12	21	38	15	25	15	47	26	38	48	33	45
3	37	13	23	38	17	28	16	47	26	38	57	32	44
3.5	38	15	25	38	18.5	29	18	47	26	38	57	32	44
4	38	17	28	38	18.5	29	20	48	33	45	57	32	44
4.5	38	17	28	38	21	32	--	--	--	--	--	--	--



WEE Technology Company Limited
ROOM 1405, 14/F, LUCKY CENTRE,
171 WANCHAI ROAD,
WANCHAI, HONG KONG
www.weetcap.com
info@weetcap.com

All details in this data sheet are subject to change without notice.
For more details and updates, please visit our website.



Copyright © 2000 WEE Technology, All rights reserved.