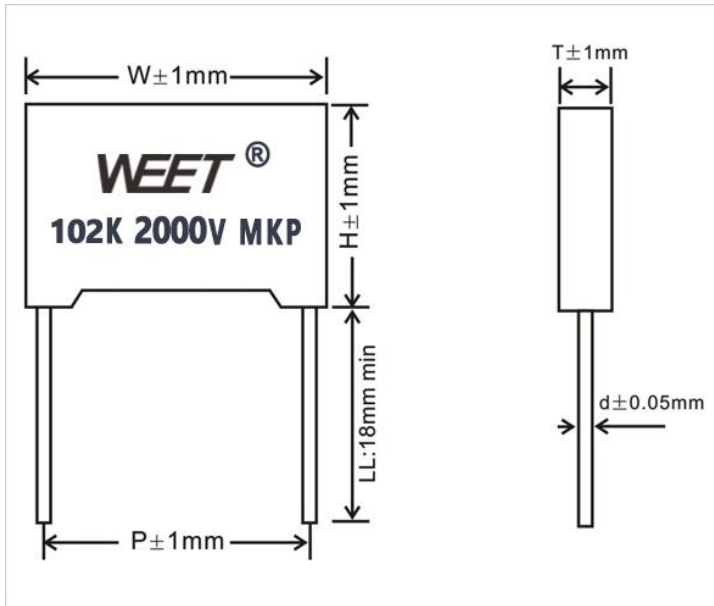


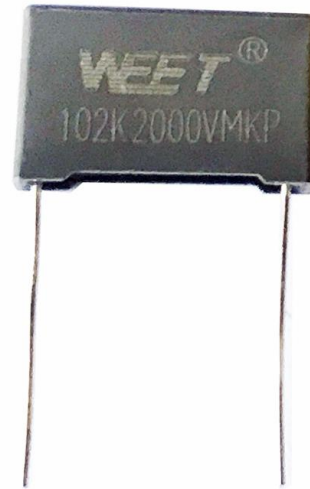
FEATURES

- Metallized structure, widely used in high voltage, high frequency and pulse circuit
- Low loss and small inherent temperature rise
- Negative temperature coefficient of capacitance
- Excellent active and passive flame resistant abilities

DRAWING (mm)



PICTURE



Lead Pitch: P	≤ 10	> 10
Lead Wire Dia.: $d \pm 0.05$	0.6	0.8
Dimension Tolerance: W,H,T	$W+0.5/-0.7, H \pm 0.5, T \pm 0.5$	

SPECIFICATIONS

Reference Standard	GB/T 10188 -88
Climatic Category	40/105/21
Rated Temperature	105 [°] C
Operating Temperature Range	-40 [°] C ~ 105 [°] C (+85 [°] C to +105 [°] C: decreasing factor 1.25% per [°] C for VR (dc))
Rated Voltage	1000VDC/1250VDC, 1400VDC/1600VDC, 2000VDC
Capacitance Range	0.00022 μ F ~ 3.9 μ F
Capacitance Tolerance	$\pm 2\%$ (G), $\pm 3\%$ (E), $\pm 5\%$ (J), $\pm 10\%$ (K), $\pm 20\%$ (M)
Voltage Proof	1.6UR(5s)
Dissipation Factor	$\leq 0.1\%$ MAX(25 [°] C, 1KHZ, 1V)
Insulation Resistance	$\geq 50000\text{M}\Omega$, (25 [°] C, 100V, 1min)



SIZE TABLE (mm)

(μF)	1000VDC / 1250VDC (600VAC)				1400VDC / 1600VDC (650VAC)				2000VDC (700VAC)			
	P	W	H	T	P	W	H	T	P	W	H	T
0.00022	10	13	11	5	10	13	11	5	15	18	11	5
0.00027	10	13	11	5	10	13	11	5	15	18	11	5
0.00033	10	13	11	5	15	18	11	5	15	18	11	5
					10	13	11	5				
0.00039	10	13	11	5	10	13	11	5	15	18	11	5
0.00047	10	13	11	5	10	13	11	5	15	18	11	5
0.00056	10	13	11	5	10	13	11	5	15	18	11	5
0.00068	10	13	11	5	10	13	11	5	15	18	11	5
					15	18	11	5				
0.00075	10	13	11	5	10	13	11	5	15	18	11	5
0.00082	10	13	11	5	10	13	11	5	15	18	11	5
					15	18	11	5				
0.001	15	18	11	5	15	18	11	5	15	18	11	5
	10	13	11	5	10	13	11	5	22.5	26.5	15	6
0.0012	15	18	12	6	15	18	12	6	15	18	12	6
	10	13	11	5	10	13	11	5				
0.0015	15	18	12	6	15	18	12	6	15	18	12	6
	10	13	11	5	10	13	11	5				
0.0018	15	18	11	5	15	18	11	5	15	18	12	6
	10	13	11	5	10	13	12	6				
0.0022	15	18	12	6	15	18	12	6	15	18	12	6
	10	13	11	5	10	13	12	6				
0.0027	15	18	13.5	7.5	15	18	13.5	7.5	15	18	14.5	8.4
	10	13	11	5	10	13	12	6				
0.0033	15	18	13.5	7.5	15	18	13.5	7.5	15	18	14.5	8.4
	10	13	11	5	10	13	12	6				
0.0039	10	13	11	5	15	18	14.5	8.5	15	18	14.5	8.5
	15	18	14.5	8.5					22.5	26.5	15	6
0.0047	10	13	11	5	15	18	14.5	8.5	15	18	15.5	9.5
	15	18	14.5	8.5					22.5	26.5	15	6
0.0056	10	13	11	5	15	18	14.5	8.5	15	18	14.5	8.5
									22.5	26.5	15	6
0.0068	10 (1250V)	13	12	6	15	18	14.5	8.5	15	18	15.5	9.5
	10 (1000V)	13	11	5					22.5	26.5	15	6
	15	18	14.5	8.5								
0.0082	15	18	13.5	7.5	15	18	14.5	8.5	15	18	16	10
									22.5	26.5	15	6



SIZE TABLE (mm)

(μF)	1000VDC / 1250VDC (600VAC)				1400VDC / 1600VDC (650VAC)				2000VDC (700VAC)			
	P	W	H	T	P	W	H	T	P	W	H	T
0.01	15	18	12	6	15	18	14.5	8.5	15	18	19	11
									22.5	26.5	16.5	7
0.012	15	18	12	6	15	18	14.5	8.5	22.5	26.5	16.5	7
0.015	15	18	12	6	22.5	26.5	16.5	7	22.5	26.5	17	8.5
0.018	15	18	13.5	7.5	22.5	26.5	17	8.5	22.5	26.5	17	8.5
0.022	15	18	13.5	7.5	15	18	19	11	22.5	26.5	19	10
					22.5	26.5	19	10	27.5	31.4	19.5	10.8
0.027	15	18	14.5	8.5	22.5	26	20	11	27.5	31.4	19.5	10.8
	22.5	26.5	15	6								
0.033	15	18	14.5	8.5	22.5	26	21.5	12	22.5	26	21.5	12
	22.5	26.5	15	6					27.5	31.4	19.5	10.8
0.039	15	18	16	10	27.5	31.4	19.5	10.8	27.5	31.5	21.6	13
	22.5	26.5	16.5	7								
0.047	15	18	19	10.8	27.5	31.4	19.5	10.8	27.5	31	25	14
	22.5	26.5	16.5	7								
0.056	22.5	26.5	17	8.5	27.5	31.4	19.5	10.8	--	--	--	--
0.068	22.5	26.5	17	8.5	27.5	31.5	21.6	13	--	--	--	--
0.082	22.5	26.5	19	10	27.5	31.5	21.6	13	--	--	--	--
0.1	22.5	26.5	19	10	27.5	31.5	21.6	13	--	--	--	--
	27.5	31.4	19.5	10.8								
0.12	27.5	31.4	19.5	10.8	--	--	--	--	--	--	--	--
0.15	27.5	31.4	19.5	10.8	--	--	--	--	--	--	--	--
0.18	27.5	31.5	21.6	13	--	--	--	--	--	--	--	--
0.22	27.5	31.5	21.6	13	--	--	--	--	--	--	--	--

Note: Other Values are available on request. WEET is capable of doing custom service for you.



WEE Technology Company Limited
FLAT/RM 705, 7/F, FA YUEN COMM
BLDG NO.75, FA YUEN STREET, MONG
KOK, KL, HONG KONG
www.weetcap.com
info@weetcap.com

All details in this data sheet are subject to change without notice.
For more details and updates, please visit our website.

Copyright © 2000 WEE Technology, All rights reserved.

