

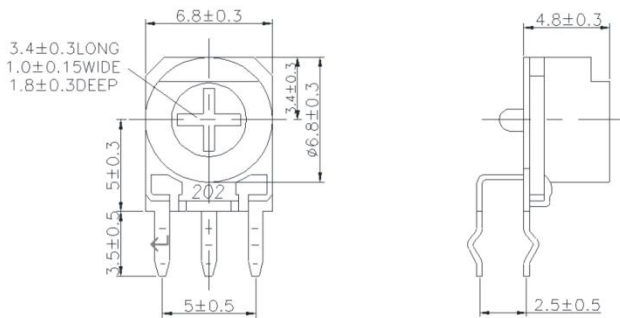
**FEATURES**

- Single-Turn / Cermet / Industrial / Open Frame
- 2 Terminal Styles
- Dust resistant/splash resistant covers
- Cross slot adjustment options

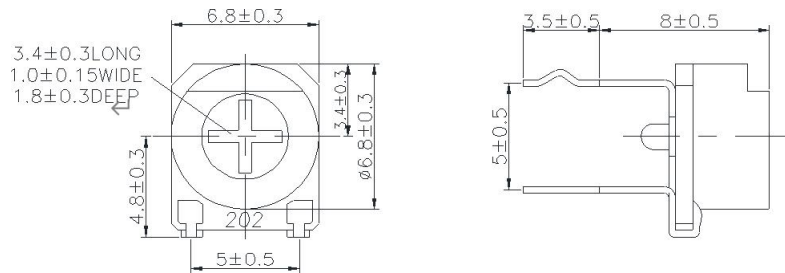
**DRAWING (mm)**



**WTP-3306K**



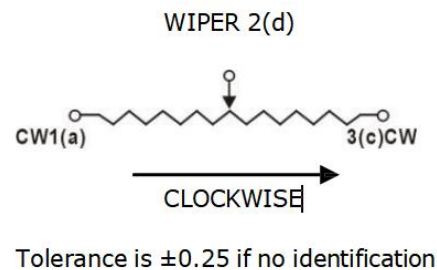
**3306F**



**SPECIFICATIONS**

Electrical Characteristics	
Standard Resistance Range	100Ω - 1MΩ
Resistance Tolerance	±25% std
Terminal Resistance	≤ ±1%R or 30Ω
Contact Resistance Variation	(CRV) ≤ ±3%R or 5Ω
Resolution	Essentially infinite
Adjustment Angle	215°

Environmental Characteristics	
Power Rating	0.2W (70°C)
Temperature Range	-30°C ~ +100°C
Temperature Coefficient	±250x10 <sup>-6</sup> /°C
Load Life (0.2W, 1000h, 70°C)	ΔR ≤ ±(5%R+0.1 Ω), CRV ≤ ±3%R or 5Ω
Rotational Life (200cycles)	ΔR ≤ ±(10%R+0.5 Ω), CRV ≤ ±3%R or 5Ω



**PN STRUCTURE**

**WTP-3306-K-103-R**

<u>WTP</u>	<u>3306</u>	<u>K</u>	<u>103</u>	<u>R</u>
Series		Style	Resistance	RoHS
1		2	3	4

**Resistance** (Special Resistances Available)

Resistance Code	Resistance (Ohms Ω)	Resistance Code	Resistance (Ohms Ω)
100	10	203	20,000
200	20	223	22,000
500	50	253	25,000
101	100	303	30,000
151	150	333	33,000
201	200	473	47,000
251	250	503	50,000
301	300	683	68,000
471	470	104	100,000
501	500	154	150,000
681	680	204	200,000
102	1,000	224	220,000
152	1,500	254	250,000
202	2,000	304	300,000
222	2,200	334	330,000
252	2,500	474	470,000
302	3,000	504	500,000
472	4,700	684	680,000
502	5,000	105	1,000,000
682	6,800	205	2,000,000
103	10,000	225	2,200,000
153	15,000	505	5,000,000



**WEE Technology Company Limited**  
 FLAT/RM 705, 7/F, FA YUEN COMM  
 BLDG NO.75, FA YUEN STREET, MONG  
 KOK, KL, HONG KONG  
[www.weetcap.com](http://www.weetcap.com)  
[info@weetcap.com](mailto:info@weetcap.com)

All details in this data sheet are subject to change without notice.  
 For more details and updates, please visit our website.

Copyright © 2000 WEE Technology, All rights reserved.

