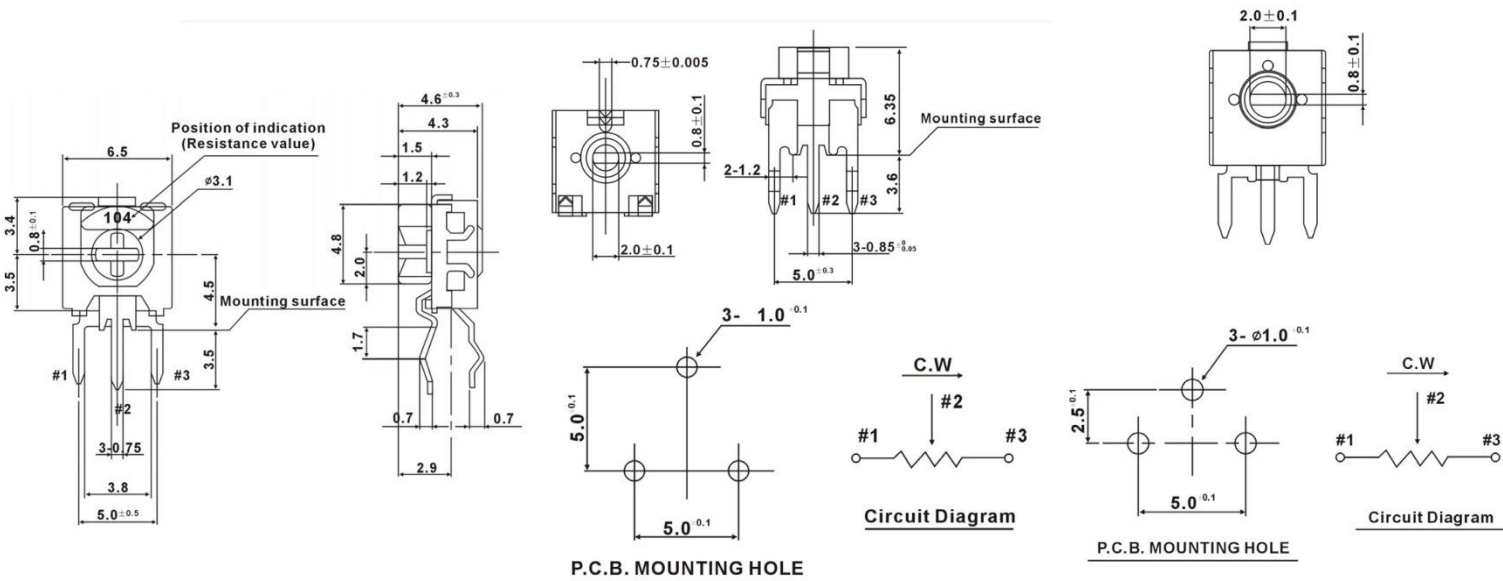
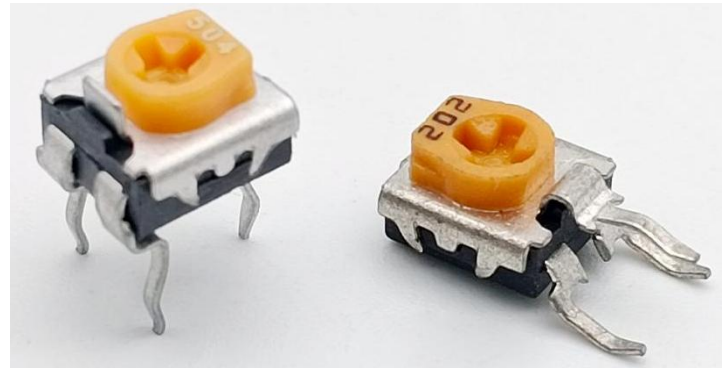


**FEATURES**

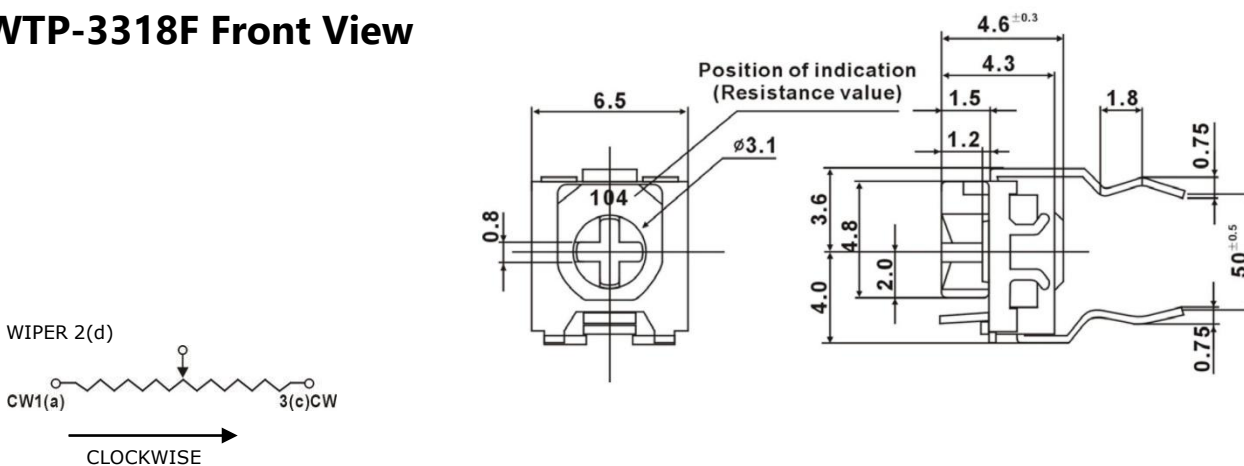
Single Turn/ Phenolic/ Industrial/ Sealed.  
2 Terminal Styles.

**DRAWING (mm)**

**WTP-3318K Front View**



**WTP-3318F Front View**



Tolerance is ±0.25 if no identification



**SPECIFICATIONS**

<b>Electrical Characteristics</b>	
Standard Resistance Range	100Ω - 1MΩ
Resistance Tolerance	±30%
Contact Resistance Variation	10% max
Resistance	Infinite
Adjustment Angle	210°±20

<b>Environmental Characteristics</b>	
Power Rating	100-500KΩ.....V > 500KΩ.....V 50°C.....0.1W
Temperature Range	-10°C ~ +70°C
Temperature Coefficient	±1000ppm/°C
Load Life	240 hours 0.1Watt 50°C (+5% ~ 20%)

<b>Physical Characteristics</b>	
Torque (Operating)	20-250 g-cm
Terminals	Solderable pins
Marking	Resistance code, date code
Standard Packaging	50pcs, per bag
Aqueous cleaning not recommended	



**WEE Technology Company Limited**  
FLAT/RM 705, 7/F, FA YUEN COMM  
BLDG NO.75, FA YUEN STREET, MONG  
KOK, KL, HONG KONG  
[www.weetcap.com](http://www.weetcap.com)  
[info@weetcap.com](mailto:info@weetcap.com)

All details in this data sheet are subject to change without notice.  
For more details and updates, please visit our website.

Copyright © 2000 WEE Technology, All rights reserved.



**PN STRUCTURE**

**WTP-33118F-103-R**

<u>WTP</u>	<u>3318</u>	<u>F</u>	<u>103</u>	<u>R</u>
<u>Series</u>		<u>Style</u>	<u>Resistance</u>	<u>RoHS</u>
1		2	3	4

**3. Resistance** (Special Resistances Available)

<b>Resistance Code</b>	<b>Resistance (Ohms Ω)</b>
101	100
201	200
501	500
102	1,000
202	2,000
502	5,000
103	10,000
203	20,000
503	50,000
104	100,000
204	200,000
504	500,000
105	1,000,000

