

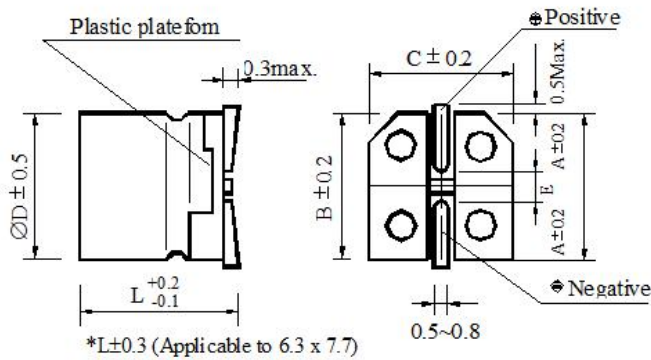
## FEATURES

- 105°C 2,000Hours Standard
- Solvent proof (within 2 minutes)

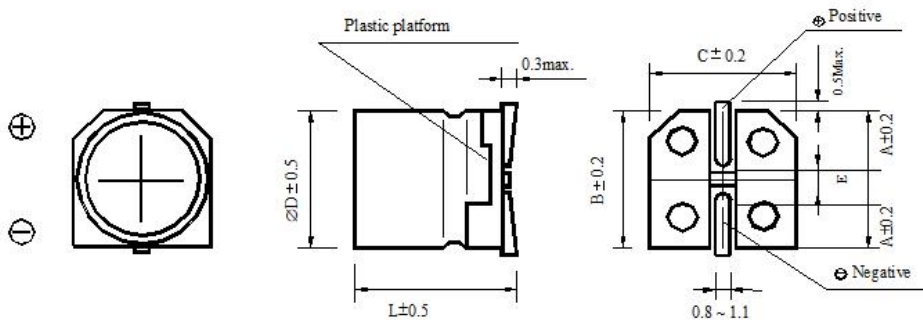


## DIMENSIONS (mm)

( $\varnothing 4 \sim \varnothing 6.3$ )



( $\varnothing 8, \varnothing 10$ )



ØD×L	4×5.4	5×5.4	6.3×5.4	6.3×7.7	8×6.5	8×10.5	10×10.5	12.5×13.5
A	1.8	2.1	2.4	2.4	2.9	2.9	3.2	4.4
B	4.3	5.3	6.6	6.6	8.3	8.3	10.3	13.0
C	4.3	5.3	6.6	6.6	8.3	8.3	10.3	13.0
E	1.0	1.3	1.8	1.8	3.1	3.1	4.2	5.2
L	5.4	5.4	5.4	7.7	6.5	10.5	10.5	13.4



## SPECIFICATIONS

Items	Condition	Specifications										
		4	6.3	10	16	25	35	50	63	100		
Rated voltage (V)	—	4	6.3	10	16	25	35	50	63	100		
Surge voltage (V)	Room temperature	5	8	13	20	32	44	63	79	125		
Category temperature range (°C)	—	-55 to +105										
Capacitance tolerance (%)	120Hz/20°C	M : ±20										
Dissipation Factor (tan δ)	tanδ (max) 120Hz/20°C	φ4 to φ10	0.35	0.3	0.24	0.2	0.18	0.16	0.14	0.14	0.14	
		φ12.5 to φ16	0.4	0.38	0.34	0.3	0.28	0.22	0.18	0.16	0.16	
	Exceeding 1,000μF, +0.02 every 1,000μF											
Leakage current (LC)	μA/after 2 minutes (max)	The greater value of either 0.01CV or 3μA										
Impedance ratio at low temperature	Based on the value at 120Hz, +20°C	-25°C	Z/Z <sub>20°C</sub>	7	4	3	2	2	2	2	2	
		-55°C	Z/Z <sub>20°C</sub>	15	8	6	4	4	3	3	3	
Endurance	105°C, 2,000hours rated voltage applied (With the rated ripple current)	ΔC/C	Within ±30% of the initial value									
		tanδ	Less than 200% of the specified value									
		LC	Less than the specified value									

## Frequency Coefficient of Allowable Ripple Current

Frequency	50Hz	120Hz	300Hz	1kHz	10kHz~
Coefficient	0.70	1.00	1.17	1.36	1.50



## STANDARD RATINGS

(V)	6.3(0J)		10(1A)		16(1C)		25(1E)	
Case μF	side mm	Ripple Current mA	side mm	Ripple Current mA	side mm	Ripple Current mA	side mm	Ripple Current mA
1								
2.2					4*5.4	12	4*5.4	12
3.3					4*5.4	13	4*5.4	13
4.7							4*5.4	14
10					4*5.4	15	4*5.4	15
22					4*5.4	21	5*5.4	26
33					5*5.4	30	5*5.4	30
47	4*5.4	26	4*5.4	34	5*5.4	33	6.3*5.4	49
100	5*5.4	40	5*5.4	40	6.3*5.4	63	6.3*7.7 8*6.2	91 105
220	6.3*7.7	105	6.3*7.7 8*6.2	105 120	8*10.2 8*6.2 (6.3*7.7)	150 125 (105)	8*10.2 10*10.2	175 199
330	6.3*7.7 8*6.2	105 120	8*10.2	196	8*10.2	195	10*10.2 (8*10.2)	240 (220)
470	8*10.2 6.3*7.7	210 162	8*10.2	210	10*10.2 (8*10.2)	295 (230)	10*10.2	280
1000	10*10.2 (8*10.2)	300 (230)	10*10.2	315	10*10.2	340	12.5*13.5	700
1500	10*10.2	315						

(V)	35(1V)		50(1H)		63(1J)		100(2A)	
Case μF	side mm	Ripple Current mA	side mm	Ripple Current mA	side mm	Ripple Current mA	side mm	Ripple Current mA
1			4*5.4	8	4*5.4	7.2	4*5.4	7.2
2.2			4*5.4	12	4*5.4	12	5*5.4	14
3.3	4*5.4	14	4*5.4	14	5*5.4	14	6.3*5.4	22
4.7	4*5.4	15	4*5.4	14	6.3*5.4	22	6.3*5.4	23
10	4*5.4	15	5*5.4	16	6.3*5.4	26	8*10.2 (6.3*7.7)	77 (35)
22	5*5.4	33	6.3*5.4	43	8*10.2 (6.3*7.7)	98 (53)	(8*10.2)	(90)
33	6.3*5.4	45	6.3*7.7	60	8*10.2	112	10*10.2	133
47	6.3*5.4	54	(6.3*7.7)	(63)	(8*10.2)	(119)	10*10.2	140
100	6.3*7.7 (8*10.2)	84 (136)	10*10.2 (8*10.2)	170 (140)	10*10.2	196		
150	8*10.2	155	10*10.2	178				
220	10*10.2 (8*10.2)	220 (190)	10*10.2	230				
330	10*10.2	245	12.5*13.5	490				
470	10*10.2	280	12.5*13.5	550				
680	12.5*13.5	320						



## PN Structure

<b>WVT</b>	<b>0J</b>	<b>0R1</b>	<b>M</b>	<b>040054</b>	<b>T</b>	<b>R</b>
Series	Rated Voltage	Capacitance	Capacitance Tolerance	Dimension	Packing	Pb
	1.	2.	3.	4.	5.	6.

### 1. Rated Voltage

Code	0J	1A	1C	1D	1E	1V	1G	1H	1J	1K	2A
Voltage	6.3V	10V	16V	20V	25V	35V	40V	50V	63	80V	100V

### 2. Capacitance

Code	0R1	R22	R33	R47	010	2R2	3R3	4R7	100	220	330	470	101
Capacitance (μF)	0.1	0.22	0.33	0.47	1	2.2	3.3	4.7	10	22	33	47	100

### 3. Capacitance Tolerance

Code	K	L	M
Tolerance	±10%	±15%	±20%

### 4. Dimension

Code	040054	050054	063054	080105	100105
Dimension (mm)	4x5.4	5x5.4	6.3x5.4	8x10.5	10x10.5

### 5. Packing

Code	T
Packing	Tape & Reel

### 6. Pb

Code	L	R
Pb	Leaded	RoHS

